

## BRASS BALL VALVE TYPE VS

### FEATURES

The VS ball valve is dedicated to the manual shut off of industrial fluids lines like water, compressed air and hydrocarbons. The stem. Anti-ejection stem. Operation with lever. Manufactured in Italy.

### AVAILABLE MODELS

Full bore

**VS40** : Ø 1/2" to 2" G connection F/F.

**VS41** : Ø 1/2" to 1" G connection M/F.

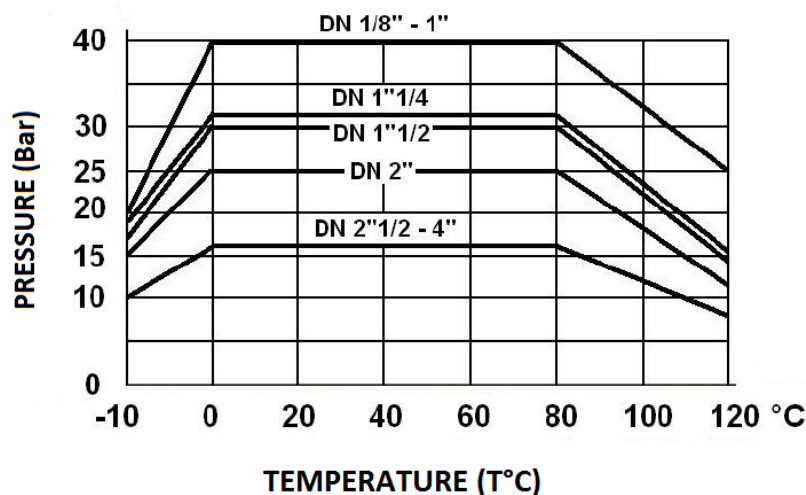
**VS42** : Ø 1/4" to 1" G connection F/F.

**VS43** : Ø 1/4" to 1" G connection M/F.



### LIMITS OF USE

Fluid pressure : PS	1/4" to 1"	40 bar
	1"1/4 - 1"1/2	30 bar
	2"	25 bar
Fluid temperature : WT°	-10°C / +120°C	



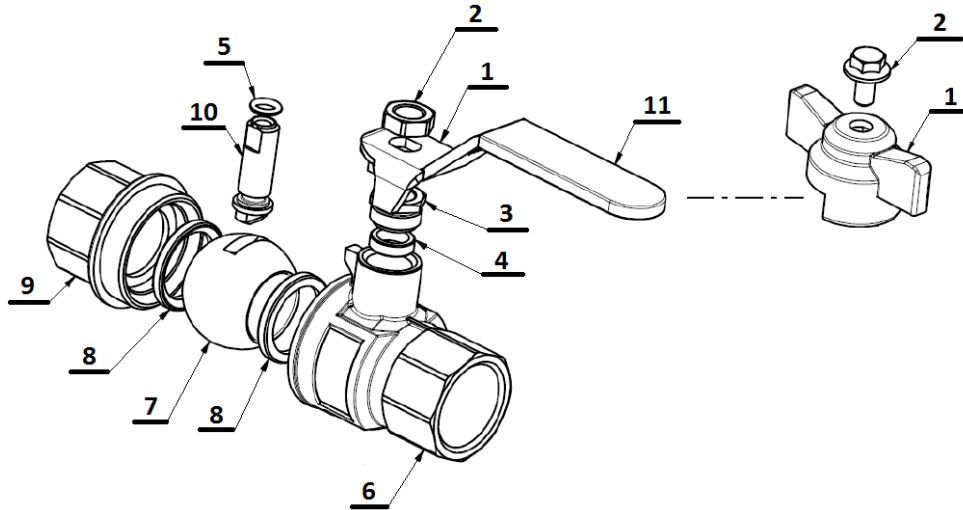
### DIRECTIVES AND MANUFACTURING STANDARDS

OBJET	Standard
Pressure Equipment Directive 2014/68/EC	1/4" to 1" : not subject
	1" 1/4 to 2" : article A4 § 3 : Use forbidden on dangerous gas of group I
Brass grades	EN 1503-4
Threaded connection	ISO 228-1

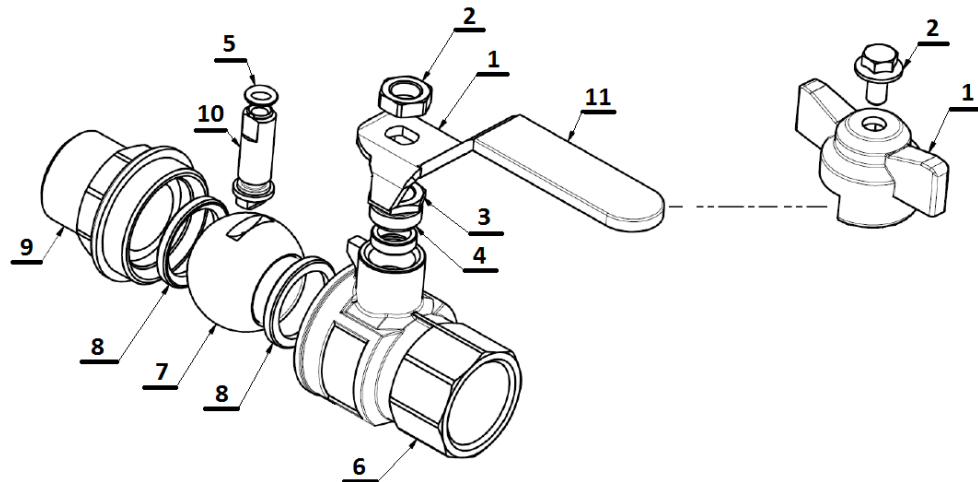
## BRASS BALL VALVE TYPE VS

### CONSTRUCTION

VS40 / VS42 F x F with handle and butterfly handle :



VS41 / VS43 M x F with handle and butterfly handle :

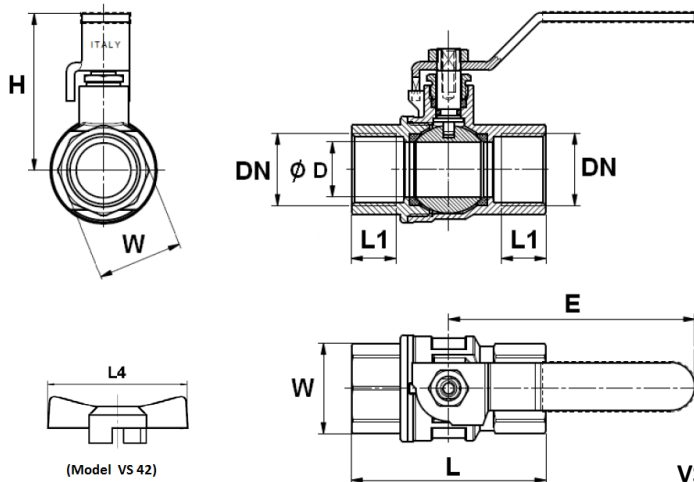


N°	Name	Material
1	Handle / Butterfly Handle	Galvanized steel
2	Nut / Handle's nut	Steel
3	Packing gland	Brass CW614N
4	Packing	PTFE + FKM
5	O-ring	EPDM
6	Body	Brass CW617N
7	Ball	Brass CW617N
8	Seats	PTFE
9	End	Brass CW617N
10	Stem	Brass CW614N
11	Handle sheath (Blue)	PVC

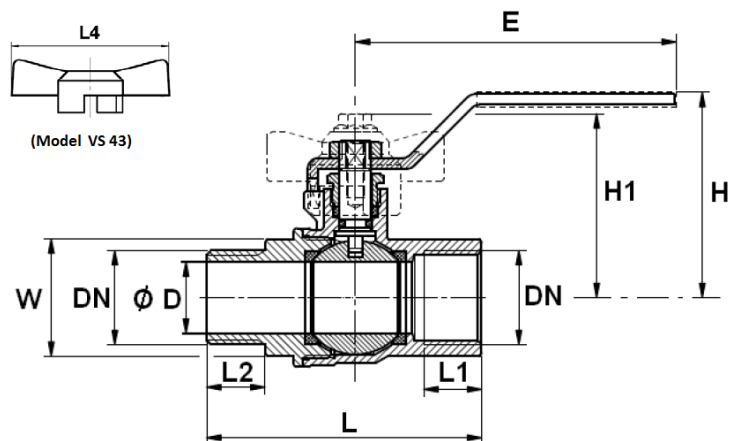
## BRASS BALL VALVE TYPE VS

### DIMENSIONS (mm) and WEIGHT (Kg)

**VS40 / VS42 F x F with handle and butterfly handle :**



**VS41 / VS43 M x F with handle and butterfly handle :**



Size	1/4"	3/8"	1/2"	3/4"	1"	1"1/4	1"1/2	2"
<b>VS</b>	<b>VS42 / VS43</b>		<b>VS40 / VS41 / VS42 / VS43</b>			<b>VS40</b>		
Ø D	10	10	15	20	25	32	40	49
L (VS40-42)	46,5	46,5	62	71	81,5	92	102	126
L (VS41-43)	52,5	52,5	67,5	77,5	87,5	-	-	-
L1	10	10	15	16,3	19,1	21,4	21,4	26
L2	11,5	11,5	15	16,5	19,5	21,5	21,5	26,5
L4	50	50	50	50	65	-	-	-
E	80	80	90	90	125	125	150	150
H	40,5	40,5	53,5	57,5	66,5	72	83,5	90
H1	37,5	37,5	48	52	62,5	-	-	-
W on flat	21	21	26	31	38	48	55	68
Weight (Kg)-(VS40)			0,270	0,365	0,605	0,880	1,340	1,980
Weight (kg)-(VS41)	-	-	0,280	0,365	0,640	-	-	-
Weight (Kg)-(VS42)	0,135	0,130	0,255	0,350	0,535	-	-	-
Weight (Kg)-(VS43)	0,135	0,140	0,265	0,365	0,570	-	-	-